

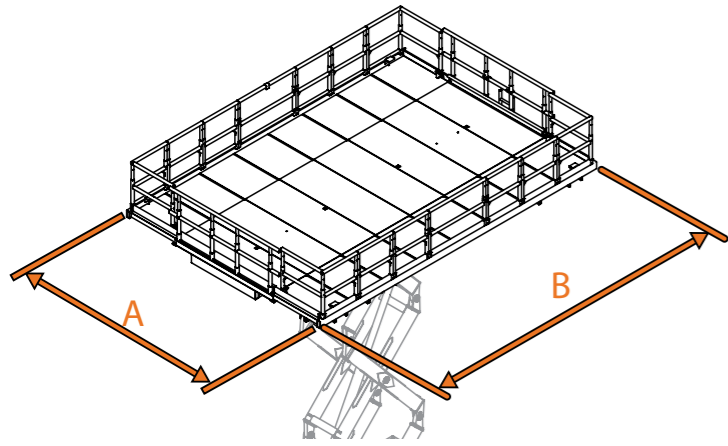


**OMEGA**

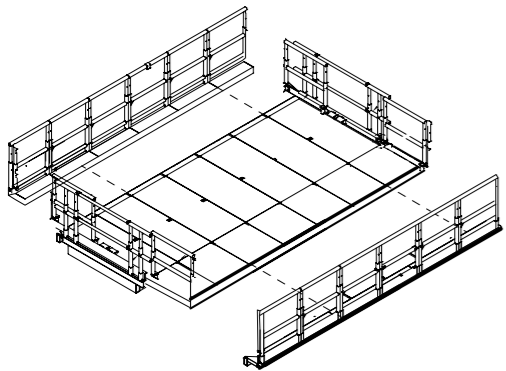
**900TS-SERIES** *DECK CONFIG*

# Deck config: OMEGA 900TS series

Side / side hydraulic powered extension decks



DECK CONFIG	MAX DECK SIZE (A x B)	WEIGHT	TRANSPORT DIMENSIONS (L x W x H)	FIT CONTAINER
A	3,90 x 6,00 mtr	14.800 kg	6,00 x 2,25 x 2,45 mtr	Yes
B	3,90 x 7,30 mtr	15.200 kg	7,30 x 2,25 x 2,45 mtr	Yes
C	5,10 x 6,00 mtr	15.800 kg	6,00 x 2,90 x 2,45 mtr	No
D	5,10 x 7,30 mtr	16.000 kg	7,30 x 2,90 x 2,45 mtr	No

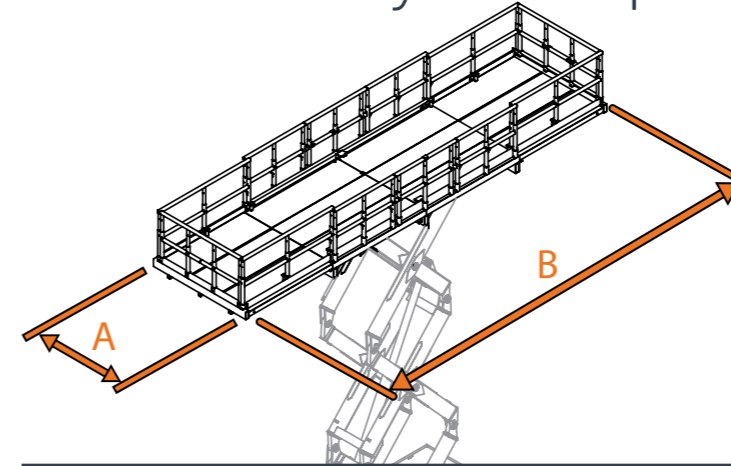


## Bolt-on platform section

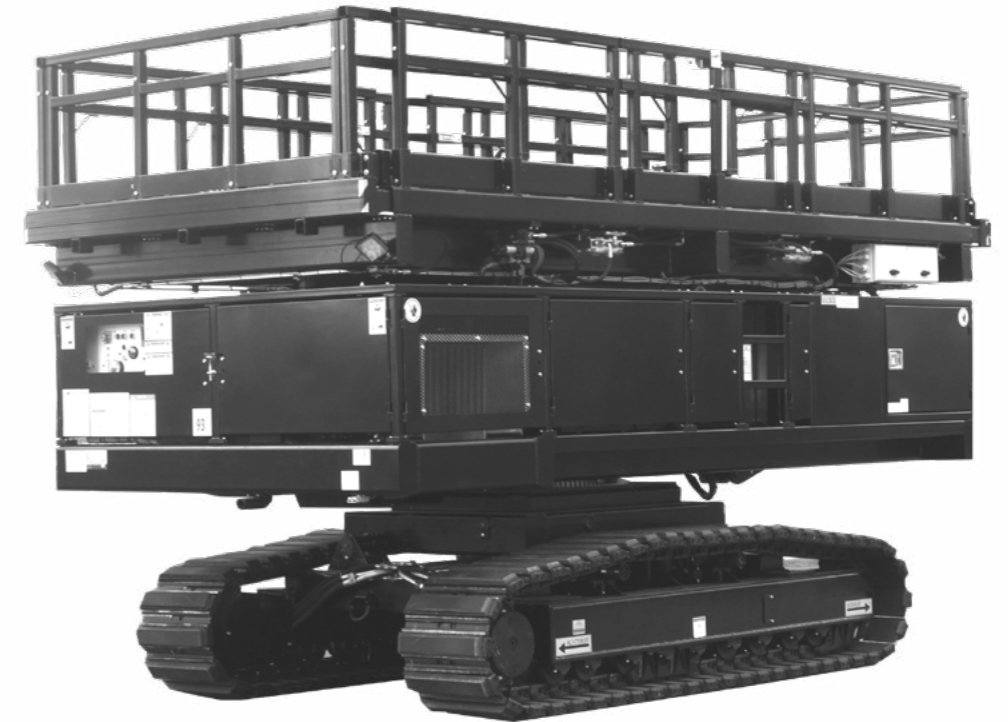
DECK CONFIG	MAX DECK SIZE (A x B)	WEIGHT	TRANSPORT DIMENSIONS (L x W x H)	FIT CONTAINER
E	4,50 x 6,00 mtr	15.750 kg	6,00 x 2,25 x 2,45 mtr ***	Yes
F	4,50 x 7,30 mtr	16.300 kg	7,30 x 2,25 x 2,45 mtr ***	Yes

\*\*\* The above mentioned transport width is based on detached bolt-on platform section. With the platform section bolted on, the platform width is 2,90 mtr

Front / rear hydraulic powered extension decks



DECK CONFIG	MAX DECK SIZE (A x B)	WEIGHT	TRANSPORT DIMENSIONS (L x W x H)	FIT CONTAINER
K	2,25 x 8,80 mtr	15.800 kg	6,00 x 2,25 x 2,45 mtr	Yes
L	2,90 x 8,80 mtr	16.500 kg	6,00 x 2,90 x 2,45 mtr	no



**Leemidden 21  
2678 ME De Lier  
The Netherlands  
+31 174 52 59 90  
group@omegagroup.eu**

**[www.omegagroup.eu](http://www.omegagroup.eu)  
[www.omegasolutions.biz](http://www.omegasolutions.biz)**