

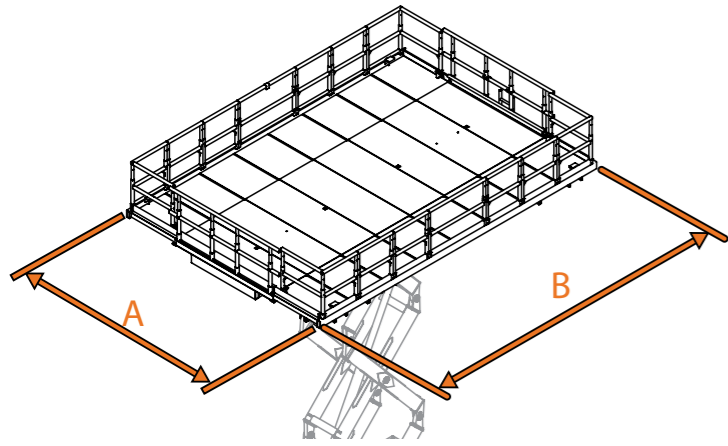


OMEGA

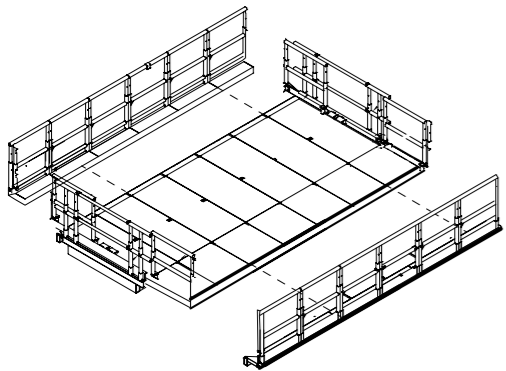
800TS-SERIES *DECK CONFIG*

Deck config: OMEGA 800TS series

Side / side hydraulic powered extension decks



DECK CONFIG	MAX DECK SIZE (A x B)	WEIGHT	TRANSPORT DIMENSIONS (L x W x H)	FIT CONTAINER
A	3,90 x 6,00 mtr	14.500 kg	6,00 x 2,25 x 2,45 mtr	Yes
B	3,90 x 7,30 mtr	14.800 kg	7,30 x 2,25 x 2,45 mtr	Yes
C	5,10 x 6,00 mtr	15.400 kg	6,00 x 2,90 x 2,45 mtr	No
D	5,10 x 7,30 mtr	15.700 kg	7,30 x 2,90 x 2,45 mtr	No

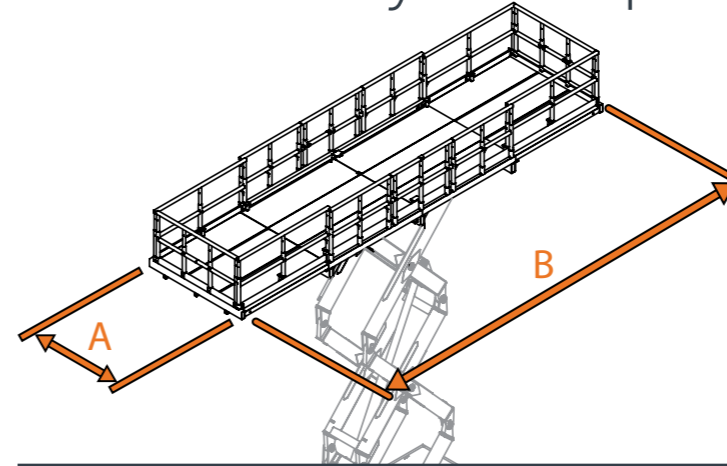


Bolt-on platform section

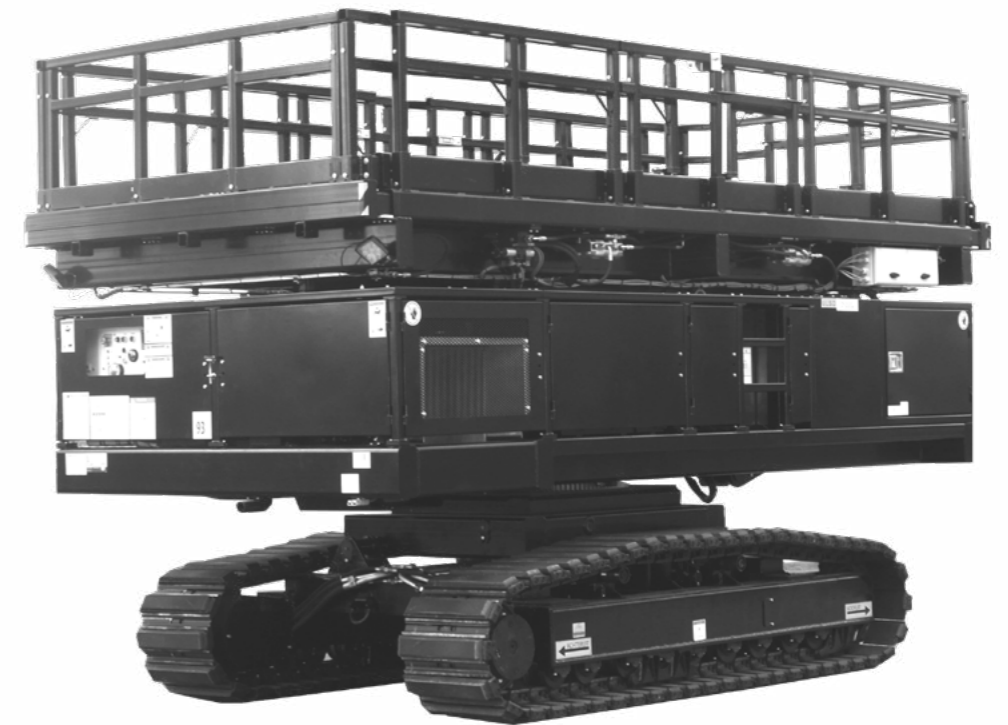
DECK CONFIG	MAX DECK SIZE (A x B)	WEIGHT	TRANSPORT DIMENSIONS (L x W x H)	FIT CONTAINER
E	4,50 x 6,00 mtr	15.750 kg	6,00 x 2,25 x 2,45 mtr ***	Yes
F	4,50 x 7,30 mtr	16.300 kg	7,30 x 2,25 x 2,45 mtr ***	Yes

*** The above mentioned transport width is based on detached bolt-on platform section. With the platform section bolted on, the platform width is 2,90 mtr

Front / rear hydraulic powered extension decks



DECK CONFIG	MAX DECK SIZE (A x B)	WEIGHT	TRANSPORT DIMENSIONS (L x W x H)	FIT CONTAINER
K	2,25 x 8,80 mtr	15.500 kg	6,00 x 2,25 x 2,45 mtr	Yes
L	2,90 x 8,80 mtr	16.200 kg	6,00 x 2,90 x 2,45 mtr	no



**Leemidden 21
2678 ME De Lier
The Netherlands
+31 174 52 59 90
group@omegagroup.eu**

**www.omegagroup.eu
www.omegasolutions.biz**